

Features

- Dual-control wall-mounted
- Includes valve
- Oval handles
- 1.2 gpm (4.5 lpm) maximum flow rate at 60 psi (4.14 bar)

Material

- Brass

Recommended Products/Accessories

- K-23726 Drain treatment
- K-23723 Faucet cleaner

Optional Products/Accessories

- K-7107 Decorative Drain
- K-7108 Decorative Drain
- K-7114 Pop-Up Drain
- K-7127 Drain
- K-7129 Drain

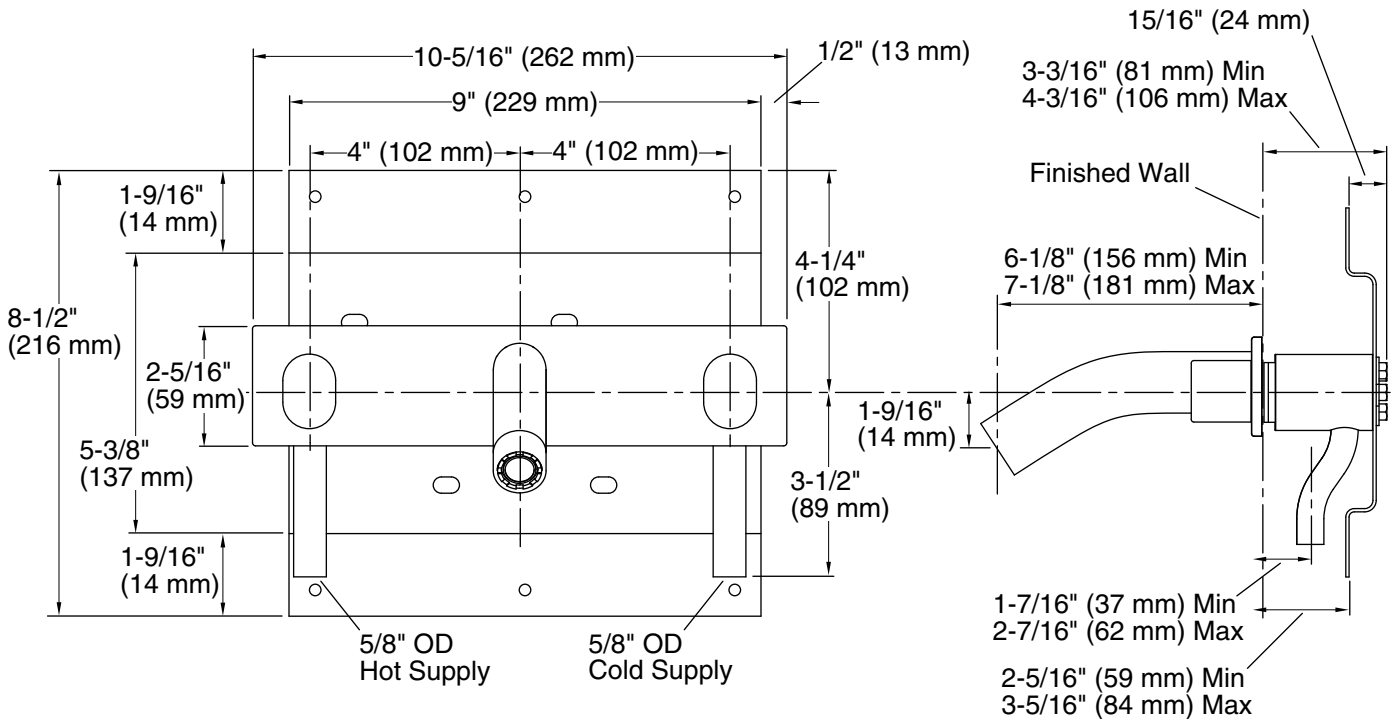


Codes/Standards

- ASME A112.18.1/CSA B125.1
- NSF/ANSI/CAN 61
- NSF/ANSI/CAN 372
- All applicable US Federal and State material regulations
- DOE - Energy Policy Act 1992
- EPA WaterSense®
- California Energy Commission (CEC)
- IAPMO Certification

KOHLER® Faucet Lifetime Limited Warranty

See website for detailed warranty information.



Technical Information

All product dimensions are nominal.

Faucet:

Flow rate: 1.2 gal/min (4.5 l/min)
 Pressure: 60 psi (4.1 bar)

Notes

Install this product according to the installation guide.

Three Ø1-1/8" (29 mm) diameter holes are required for the spout and handles.

1-1/2" (38 mm) minimum must be maintained between bottom of spout and top of fixture rim.