

Features

- Fixture-mount design
- Includes a 9V lithium battery

Material

- Brass

Technology

- Electronic infrared sensor with WAVE technology for accurate activation
- Slow-closing piston technology

Installation

- Intended for urinal installations with 3/4" (19 mm) spud coupling connection

Recommended Products/Accessories

K-23723 Faucet cleaner

Optional Products/Accessories

GP1118986 Flushometer Extension Kit



ADA

CSA B651

OBC

Codes/Standards

ASME A112.18.1/CSA B125.1

CSA B64

ASSE 1037/ASME A112.1037/CSA B125.37

DOE - Energy Policy Act 1992

EPA WaterSense®

ADA

ICC/ANSI A117.1

CSA B651

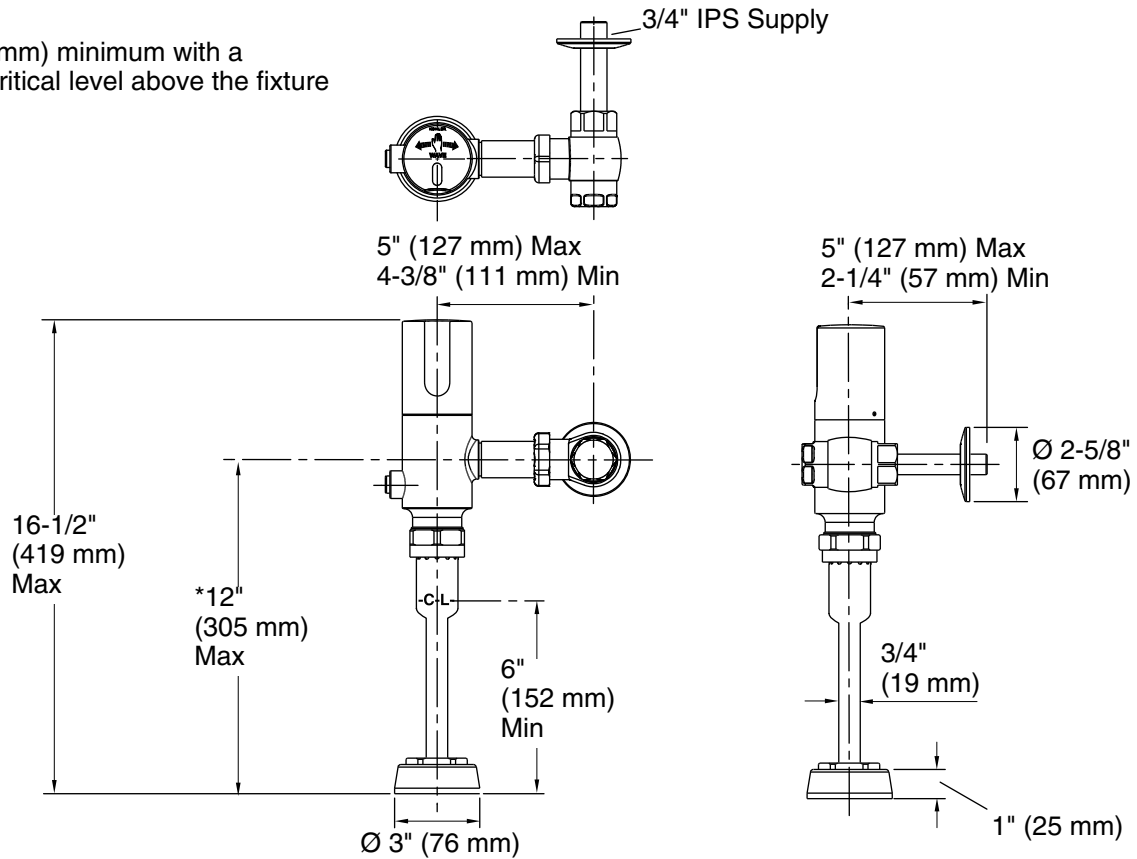
OBC

IAPMO Certification

KOHLER® One-Year Limited Warranty

See website for detailed warranty information.

*10-3/4" (273 mm) minimum with a
6" (152 mm) critical level above the fixture



Technical Information

All product dimensions are nominal.

Power source: Battery - DC, included

Pressure/fixture Supply Requirements

Fixture pressure max (static): 80 psi (551.6 kPa)

Min flowing pressure: 25 psi (172.4 kPa)

Min flow rate: 10 gpm (37.9 lpm)

Notes

Install this product according to the installation guide.

ADA, OBC, CSA B651 compliant when installed to the specific requirements of these regulations.