



Z5120

19" Round Self Rimming, Countertop Lavatory

TAG _____

Architectural/Engineering Specification:

19" round vitreous china, self-rimming, countertop lavatory

Product Features:

- 19" [482 mm] round
- Vitreous china
- Faucet holes for single, 4" or 8" centers
- Self-rimming front overflow design
- Waste: 1-1/4" O.D.
- Depth: 6-1/2"
- Inside Bowl Dimensions: 14-3/4" x 12"
- Shipping Weight: 22 lbs.

Suffix Options:

- LS Left Side Soap Hole (Z5121 only)
- RS Right Side Soap Hole (Z5121 only)

Recommended Trim:

- Z8743-PC Grid Strainer
- Z8700 Series P-Trap
- Z8800 Series Top with Flexible Supplies
- Z8946-1-NT ADA Trap, Stop, and Supply Protectors

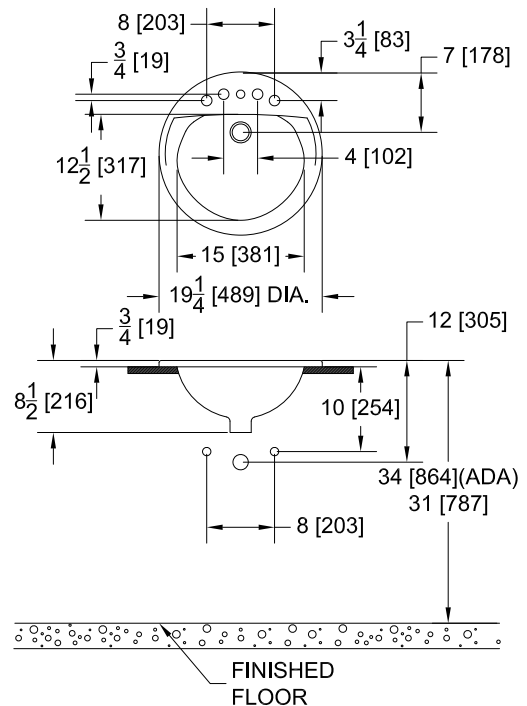
Optional Trim:

- Z8746-PC ADA Grid Strainer
- Z8946-3-NT ADA Trap, Stop, and Supply Protectors for Offset Grid Strainer



Configurations:

- Z5121 Lavatory with single faucet hole
- Z5124 Lavatory with 4" center faucet holes
- Z5128 Lavatory with 8" center faucet holes



See Zurn One Systems for suggested packages.

Architectural/Engineering Approval

The information contained in this document is subject to change without notice. Please contact Zurn for most up to date information.

Compliance and Certification:

- ADA Compliant



Rough-in/Overview dimensions for Z5110 Series

- Z5121 Lavatory with single hole faucet
- Z5124 Lavatory with 4" center faucet holes
- Z5128 Lavatory with 8" center faucet holes

Meets the American Disabilities Guidelines and ANSI A117.1 requirements when installed 34" [84mm] from finished floor. Fixture dimensions meet ASME A112.19.2/CSA B45.1 requirements. In Canada - Consult local codes and standards.